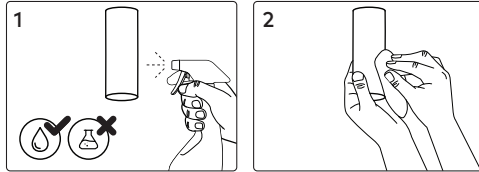


Cleaning

Warning: Before cleaning, disconnect from mains supply and allow luminaire to cool.



Corrosion Protection

It is important to note that care must be taken during installation or maintenance to ensure that the surface of the luminaire is not damaged. Any damage, which is exposed to moisture will result in corrosion occurring.

Please also note that any chemical applications on the luminaire or chemical contact via installation will cause corrosion of the surface of the luminaire and will void the warranty.

Disposal

Ensure correct disposal of this product (waste electrical and electronic equipment).



Ambient Conditions

Recommended to install in an ambient temperature <35°C.



Akira Round

CEILING LIGHT

Base Codes	R350 AKIRO350	R600 AKIRO600	R900 AKIRO900	Power 28 60 90 Watts
	Class II (R350), Class I (R600, R900) 220-240V - 50/60Hz		IP Rating 20, 54	Material Aluminium

CAUTION – This product must be installed by a qualified installer
Please read instruction manual carefully before installing luminaire

Surge Protection
For comprehensive protection of a luminaire against electrical surges, surge protection shall be installed on the mains supply where required to protect luminaires and drivers from transient voltage damage.

For warranty information visit unios.com/warranty

Please read these installation instructions carefully before installing this product. This product must be installed and maintained by a suitably qualified person/s in compliance with the latest applicable regulations and relevant legislation. Unios does not warrant any claim based on defects or damage caused by misuse, improper installation, improper operation and/or modifications carried out by the purchaser or third parties. This product shall not be used as a 'working light' during construction. This will result in the warranty of the product to be void. For warranty duration, please refer to the data sheet.

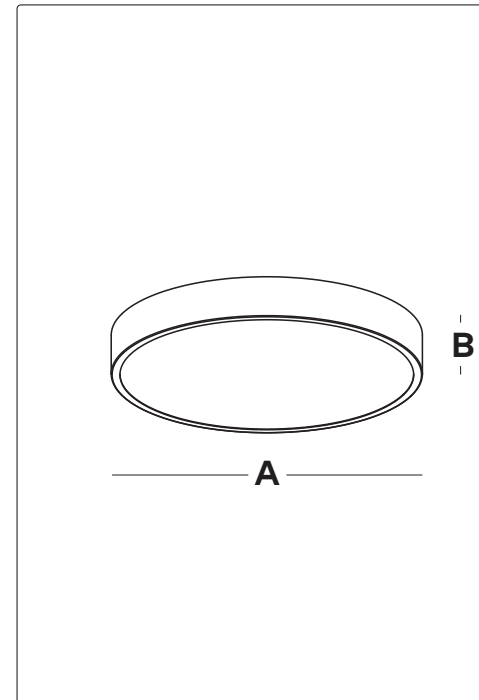
Sizing Variations

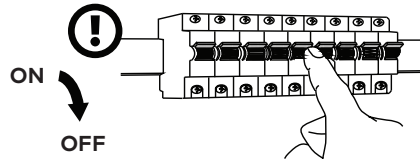
Product Code	A	B
AKIRO350 (IP54)	Ø 350	55
AKIRO600 (IP20)	Ø 600	68
AKIRO900 (IP20)	Ø 900	68

All measurements are in millimetres.

Parts

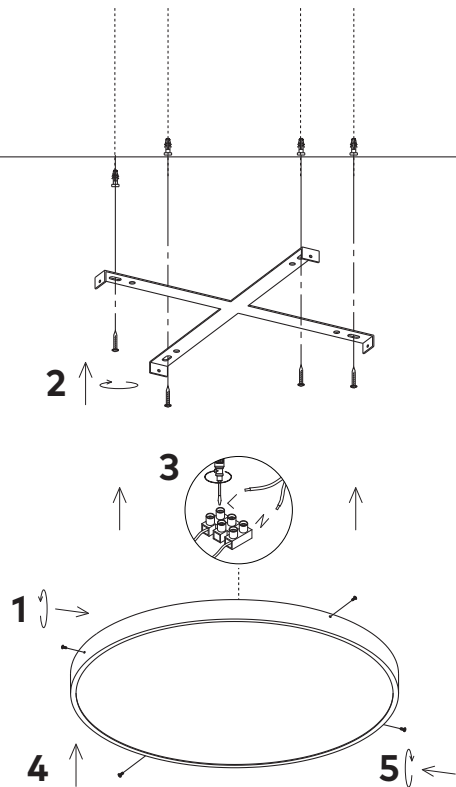
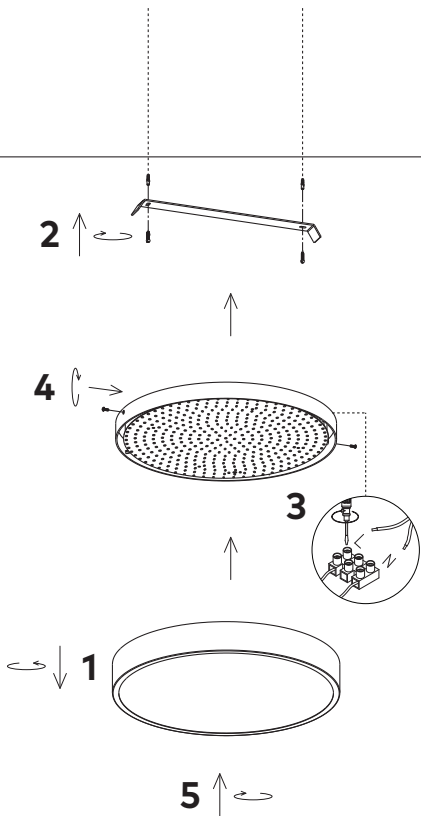
1x Allen Key R600/R900 only	Plugs R350 (2x) R600/R900 (4x)	Screws R350 (2x) R600/R900 (4x)



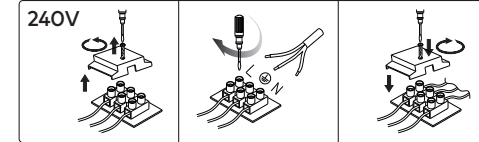
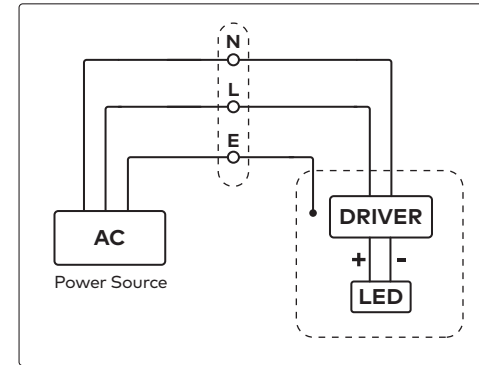


R350
AKIRO350

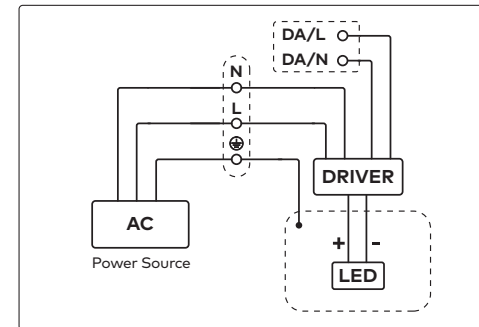
R600/R900
AKIRO600, AKIRO900



Wiring



Single Switch Wiring (DALI)



Luminaire Compatibility

Product Code	Output Power	Driving Current	Forward Voltage
AKIRO350	28W	750mA	40V
AKIRO600	60W	2x 750mA	2x 40V
AKIRO900	90W	3x 750mA	3x 40V

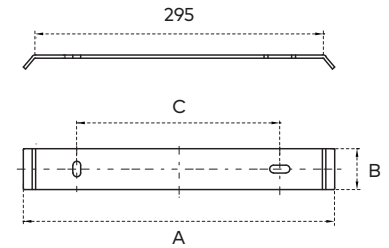
Dimming

This luminaire can be dimmed. Unios® recommends a phase-cut dimmer optimised for LED technology. For non-standard configurations refer to driver data sheet.

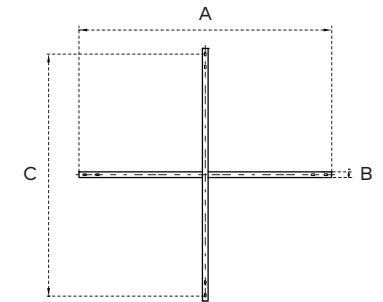
For full list of compatible drivers, see unios.com

Mounting Plate

AKIRO350



AKIRO600
AKIRO900



Product Code	A	B	C
AKIRO350	310	26	256
AKIRO600	591	20	551
AKIRO900	888	20	848

All measurements are in millimetres.

