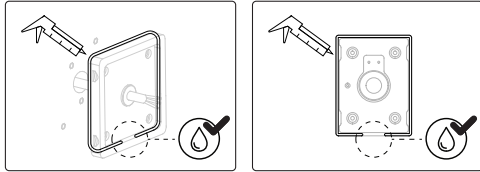


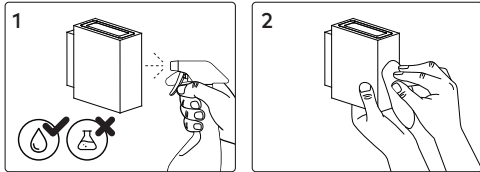
IP65/66 Installations

To ensure a complete seal around the mounting area, an exterior grade caulk must be used around the perimeter of the back of the mounting plate. **Do not caulk bottom of mounting plate to ensure sufficient drainage.**



Cleaning

Warning: Before cleaning, disconnect from mains supply and allow luminaire to cool.



Disposal

Ensure correct disposal of this product (waste electrical and electronic equipment).



Corrosion Protection

It is important to note that care must be taken during installation or maintenance to ensure that the surface of the luminaire is not damaged. Any damage, which is exposed to moisture will result in corrosion occurring.

Please also note that any chemical applications on the luminaire or chemical contact via installation will cause corrosion of the surface of the luminaire and will void the warranty.

Ambient Conditions

Recommended to install in an ambient temperature <35°C.



Athena G2

SERIES

| | | | | |
|-------------------|--------------------------------------|------------------------------|------------------------------|-------------------------------|
| Base Codes | Surface Mounted ATSM0018 | Fixed One ATF10018 | Fixed Two ATF20028 | Power 18 28 Watts |
| | Class I 220–240V – 50/60Hz | IP Rating 65 | Material Aluminium | Install Person/s 1x |



CAUTION – This product must be installed by a qualified installer
Please read instruction manual carefully before installing luminaire

Surge Protection
For comprehensive protection of a luminaire against electrical surges, surge protection shall be installed on the mains supply where required to protect luminaires and drivers from transient voltage damage.

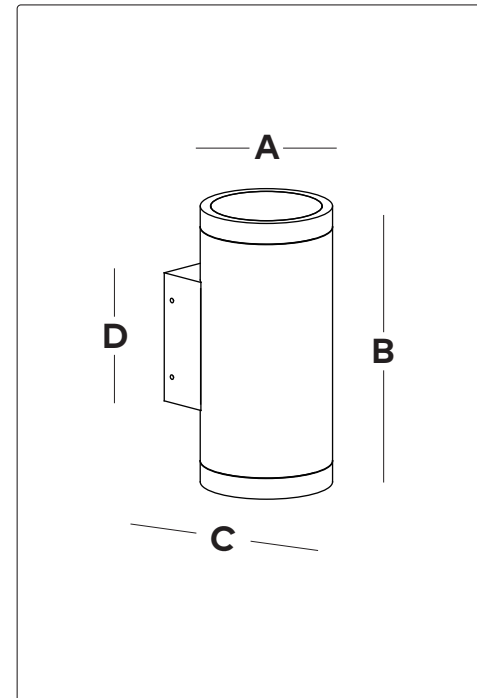
For warranty information visit unios.com/warranty

Please read these installation instructions carefully before installing this product. This product must be installed and maintained by a suitably qualified person/s in compliance with the latest applicable regulations and relevant legislation. Unios does not warrant any claim based on defects or damage caused by misuse, improper installation, improper operation and/or modifications carried out by the purchaser or third parties. This product shall not be used as a 'working light' during construction. This will result in the warranty of the product to be void. For warranty duration, please refer to the data sheet.

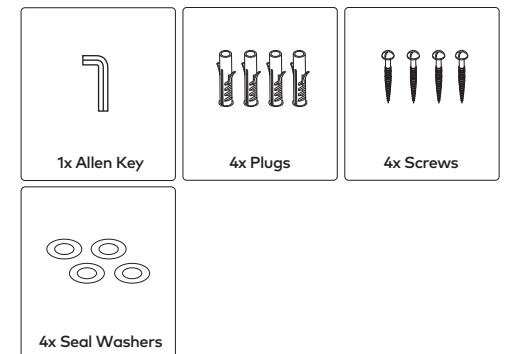
Sizing Variations

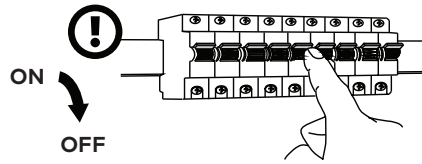
| Product Code | A | B | C | D |
|--------------|------|-----|-----|-----|
| ATSM0018 | Ø100 | 145 | - | - |
| ATF10018 | Ø100 | 165 | 119 | 100 |
| ATF20028 | Ø100 | 215 | 119 | 100 |

All measurements are in millimetres.

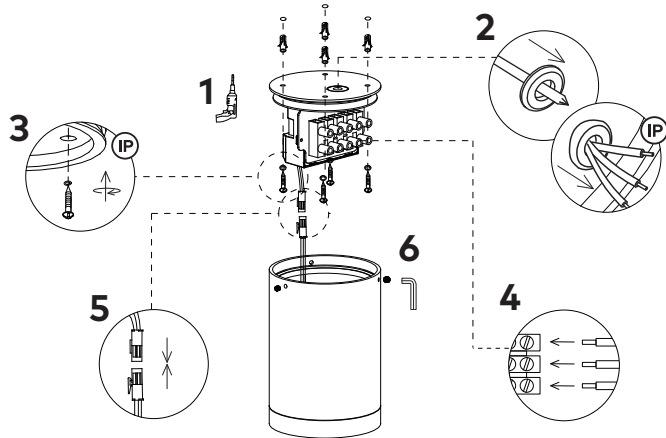


Parts & Accessories

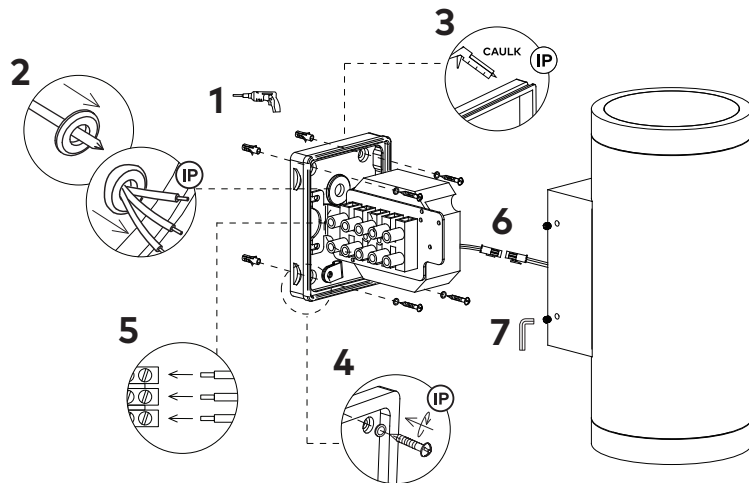




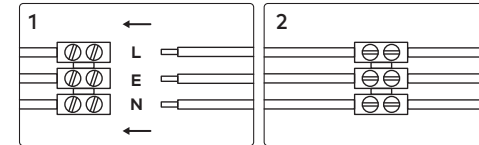
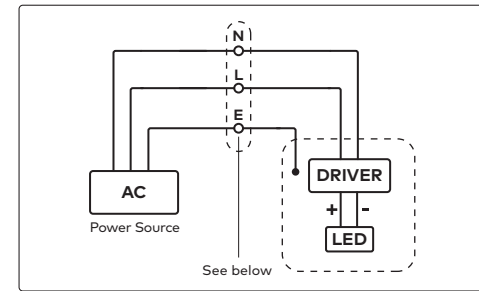
Surface Mounted
ATSM0018



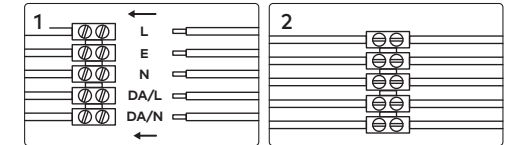
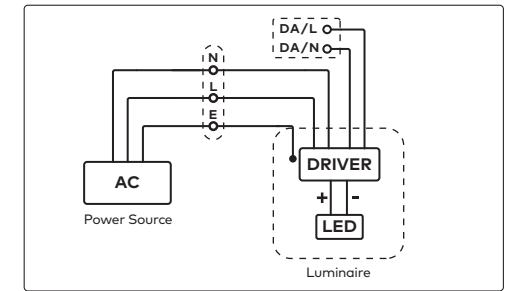
Wall
ATF10018
ATF20028



Wiring



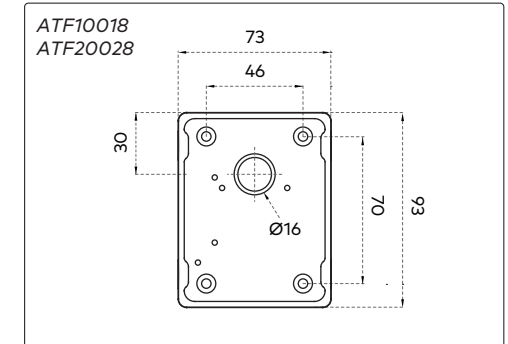
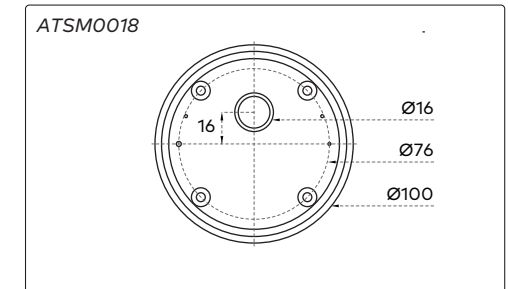
Wiring (Built-in DALI)



Driver Compatibility

| Product Code | Output Power | Driving Current | Forward Voltage |
|--------------|--------------|-----------------|-----------------|
| ATSM0018 | 18W | 500mA | 36-38V |
| ATF10018 | 18W | 500mA | 36-38V |
| ATF20028 | 28W | 800mA | 36-38V |

Mounting Plate



All measurements are in millimetres.

Dimming

This luminaire can be dimmed. Unios® recommends a phase-cut dimmer or DALI solution optimised for LED technology.

For full list of compatible drivers, see unios.com

Additional Accessories

