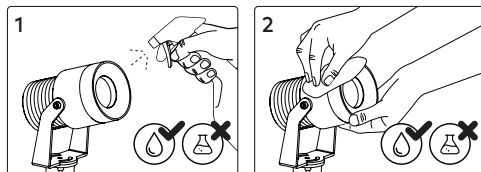


Cleaning

Warning: Before cleaning, disconnect from mains supply and allow luminaire to cool.



Disposal

Ensure correct disposal of this product (waste electrical and electronic equipment).



Corrosion Protection

It is important to note that care must be taken during installation or maintenance to ensure that the surface of the luminaire is not damaged. Any damage, which is exposed to moisture will result in corrosion occurring.

Please also note that any chemical applications on the luminaire or chemical contact via installation will cause corrosion of the surface of the luminaire and will void the warranty.

Ambient Conditions

Recommended to install in an ambient temperature <35°C.



Castell

BOLLARD LIGHT

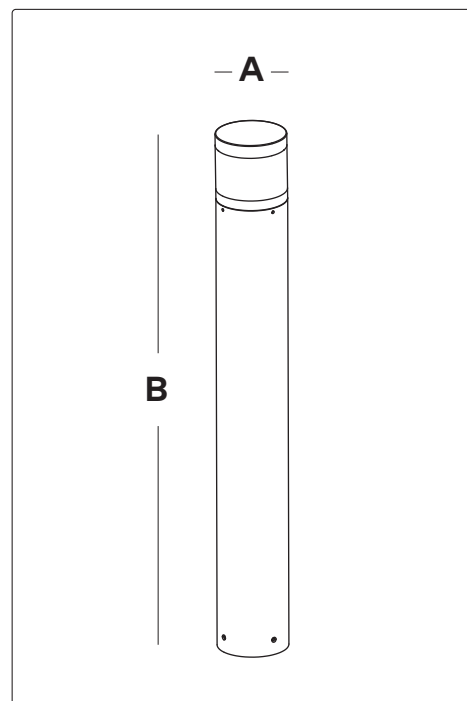
Base Codes	10W 600mm CAST0610	10W 900mm CAST0910	20W 600mm CAST0620	20W 900mm CAST0920	Power 10 20 Watts
	Class I 220-240 V ~ 50/60Hz	IP Rating 65	Material Aluminium	Install Person/s 1x	

CAUTION – This product must be installed by a qualified installer
Please read instruction manual carefully before installing luminaire

Surge Protection
For comprehensive protection of a luminaire against electrical surges, surge protection shall be installed on the mains supply where required to protect luminaires and drivers from transient voltage damage.

For warranty information visit unios.com/warranty

Please read these installation instructions carefully before installing this product. This product must be installed and maintained by a suitably qualified person/s in compliance with the latest applicable regulations and relevant legislation. Unios does not warrant any claim based on defects or damage caused by misuse, improper installation, improper operation and/or modifications carried out by the purchaser or third parties. This product shall not be used as a 'working light' during construction. This will result in the warranty of the product to be void. For warranty duration, please refer to the data sheet.

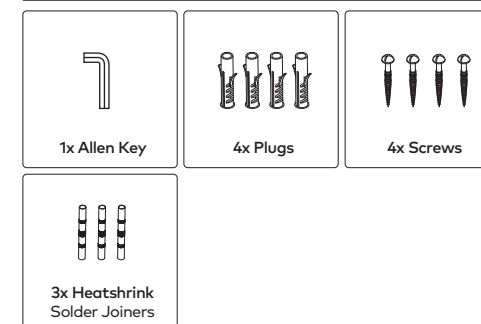


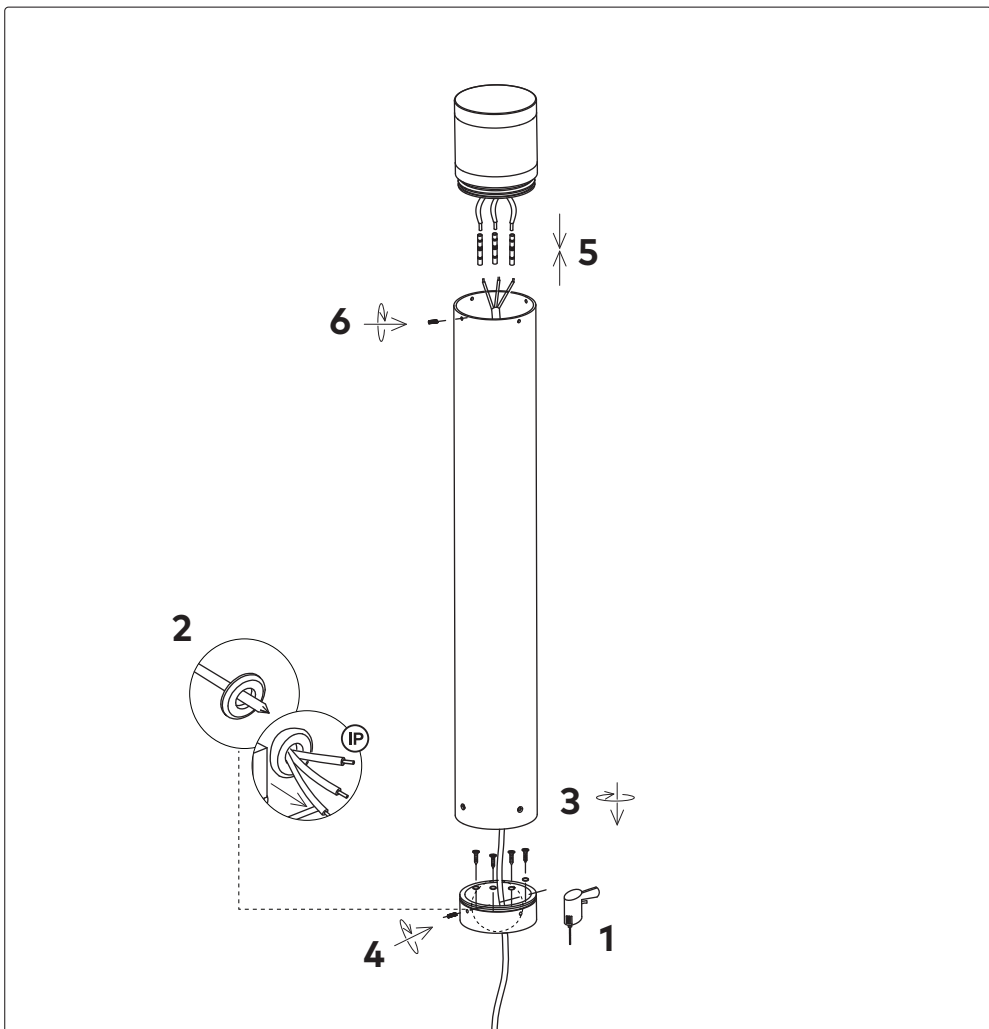
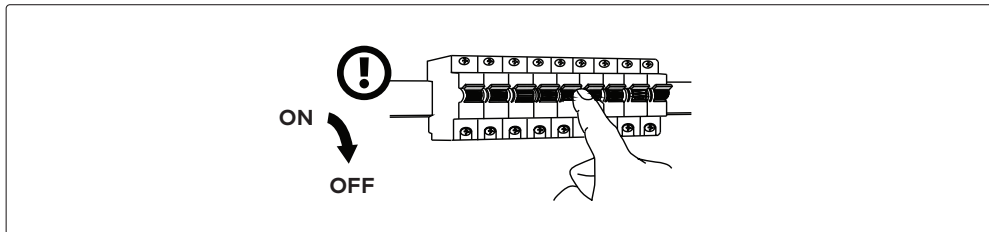
Sizing Variations

Product Code	A	B
CAST0610	Ø 115	600
CAST0910	Ø 115	900
CAST0620	Ø 150	600
CAST0920	Ø 150	900

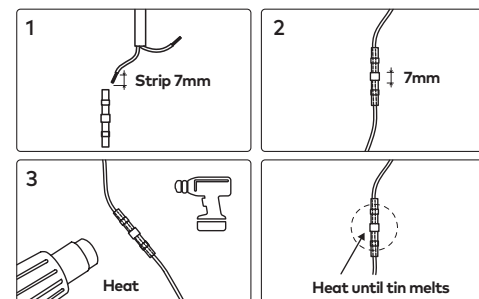
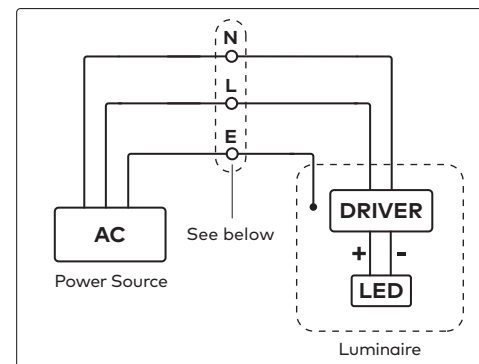
All measurements are in millimetres.

Parts

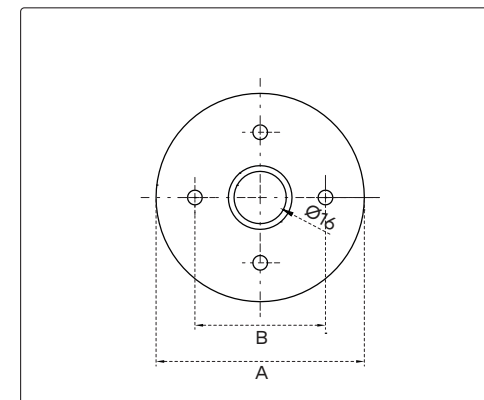




Wiring



Mounting Plate



Product Code	A	B
CAST0610/CAST0910	Ø 115	72
CAST0620/CAST0920	Ø 150	94

Driver Selection

Product Code	Output Power	Driving Current	Forward Voltage
CAST0610	10W	700mA	12V
CAST0910	10W	700mA	12V
CAST0620	20W	500mA	36V
CAST0920	20W	500mA	36V

Dimming

This luminaire can be dimmed. Unios® recommends a phase-cut dimmer optimised for LED technology. For non-standard configurations refer to driver data sheet.

For full list of compatible drivers, see unios.com

