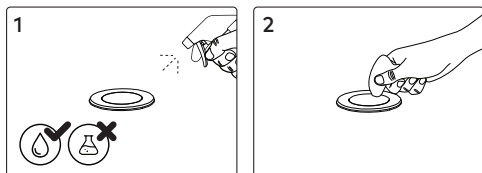


## Cleaning

Warning: Before cleaning, disconnect from mains supply and allow luminaire to cool.



## Disposal

Ensure correct disposal of this product (waste electrical and electronic equipment).



## Corrosion Protection

It is important to note that care must be taken during installation or maintenance to ensure that the surface of the luminaire is not damaged. Any damage, which is exposed to moisture will result in corrosion occurring.

Please also note that any chemical applications on the luminaire or chemical contact via installation will cause corrosion of the surface of the luminaire and will void the warranty.

## Ambient Conditions

Recommended to install in an ambient temperature <45°C.



## Compass

INGROUND UPLIGHT

<b>Base Codes</b>	<b>Small</b> COMP0086	<b>Medium</b> COMP0125	<b>Large</b> COMP0175	<b>Power</b> 6   11   15 Watts
	<b>Class III</b> 24V DC	<b>IP Rating</b> 67	<b>Material</b> Aluminium	<b>Install Person/s</b> 1x

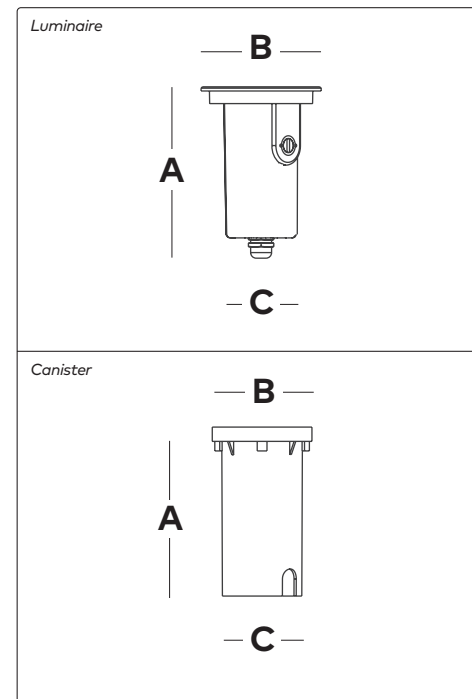


**CAUTION – This product must be installed by a qualified installer**  
Please read instruction manual carefully before installing luminaire

**Surge Protection**  
For comprehensive protection of a luminaire against electrical surges, surge protection shall be installed on the mains supply where required to protect luminaires and drivers from transient voltage damage.

### For warranty information visit [unios.com/warranty](http://unios.com/warranty)

Please read these installation instructions carefully before installing this product. This product must be installed and maintained by a suitably qualified person/s in compliance with the latest applicable regulations and relevant legislation. Unios does not warrant any claim based on defects or damage caused by misuse, improper installation, improper operation and/or modifications carried out by the purchaser or third parties. This product shall not be used as a 'working light' during construction. This will result in the warranty of the product to be void. For warranty duration, please refer to the data sheet.

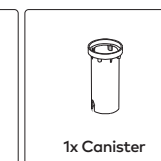
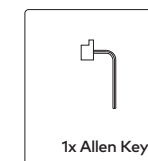


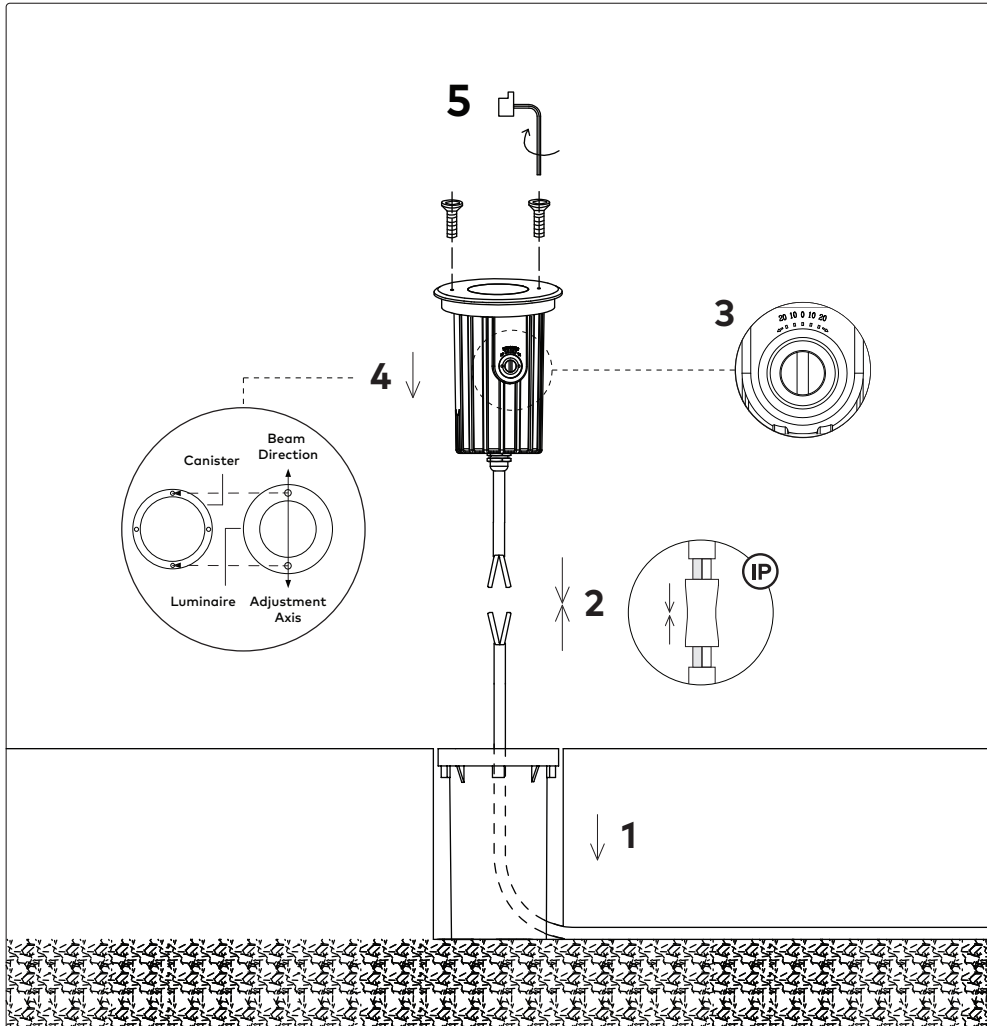
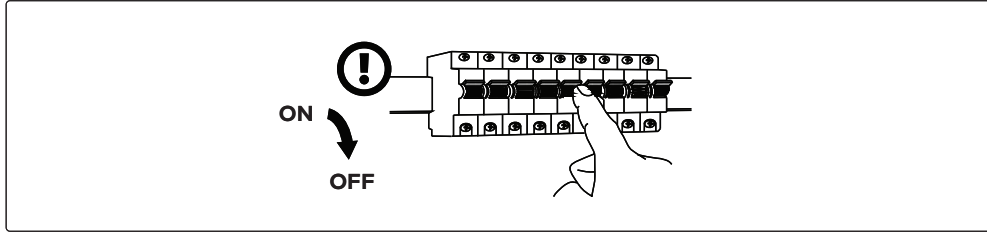
## Sizing Variations

Product Code	A	B	C
<b>COMP0086</b>			
Luminaire	130	Ø 86	74
Canister	136	Ø 82	Ø 65
<b>COMP0125</b>			
Luminaire	145	Ø 125	104
Canister	153	Ø 111	Ø 85
<b>COMP0175</b>			
Luminaire	188	Ø 175	150
Canister	231	Ø 160	Ø 203

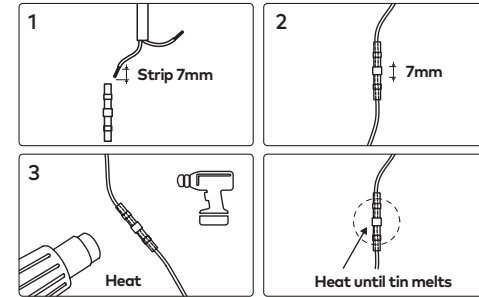
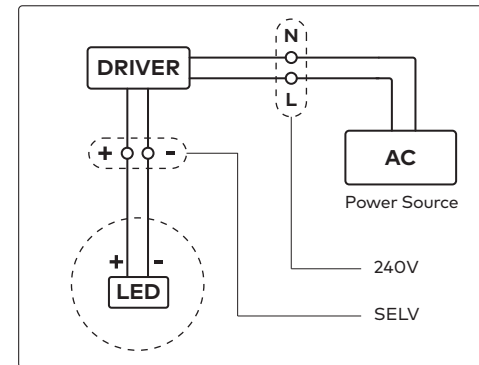
All measurements are in millimetres.

## Parts

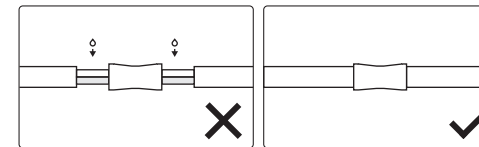




### Wiring



### IP67 Connection



### Driver Selection

Product Code	Output Power	Forward Voltage
COMP0086	6W	24VDC
COMP0125	11W	24VDC
COMP0175	15W	24VDC

### Dimming

This luminaire can not be dimmed.