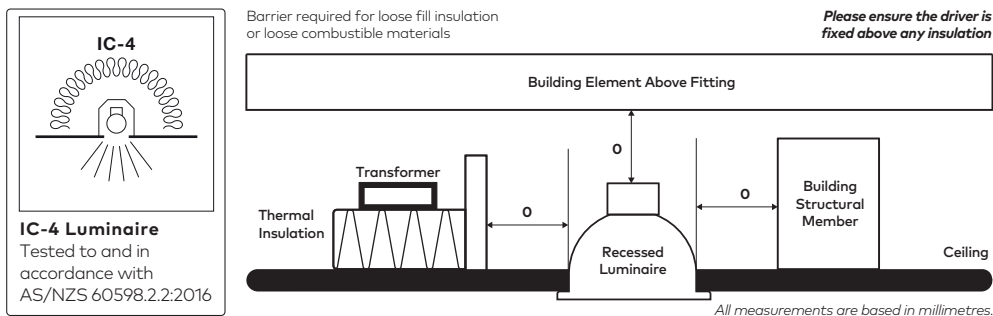


Minimum clearance for luminaire

ⓘ **Risk of Fire** – Required clearance from structure members and building elements. Details below:

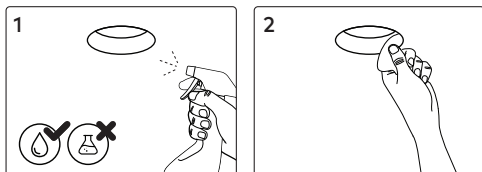


IC-4

IC-4 Luminaire
 Tested to and in accordance with AS/NZS 60598.2.2:2016

Cleaning

Warning: Before cleaning, disconnect from mains supply and allow luminaire to cool.



Disposal

Ensure correct disposal of this product (waste electrical and electronic equipment)



Corrosion Protection

It is important to note that care must be taken during installation or maintenance to ensure that the surface of the luminaire is not damaged. Any damage, which is exposed to moisture will result in corrosion occurring.

Please also note that any chemical applications on the luminaire or chemical contact via installation will cause corrosion of the surface of the luminaire and will void the warranty.

Ambient Conditions

Recommended to install in an ambient temperature <35°C.



EQ

DOWNLIGHT SERIES

Base Codes	Essential EQED0105	Comfort 100 EQCD0100	Comfort 60 EQCD0060	Tilt EQTD0104	Power 8, 10 Watts
	Class III Luminaire only	IP Rating 44	Material Aluminium	Install Person/s 1x	

ⓘ **CAUTION** – This product must be installed by a qualified installer
 Please read instruction manual carefully before installing luminaire

Surge Protection
 For comprehensive protection of a luminaire against electrical surges, surge protection shall be installed on the mains supply where required to protect luminaires and drivers from transient voltage damage.

For warranty information visit unios.com/warranty

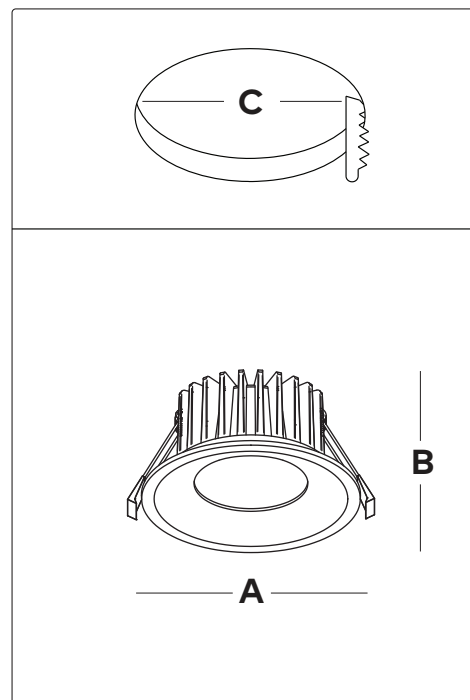
Please read these installation instructions carefully before installing this luminaire. This product must be installed and maintained by a suitably qualified person/s in compliance with the latest applicable regulations and relevant legislation. Unios does not warrant any claim based on defects or damage caused by misuse, improper installation, improper operation and/or modifications carried out by the purchaser or third parties. This luminaire will not be used as a 'Working light' during construction. This will result in the warranty of the luminaire to be void. For warranty duration, please refer to the data sheet.

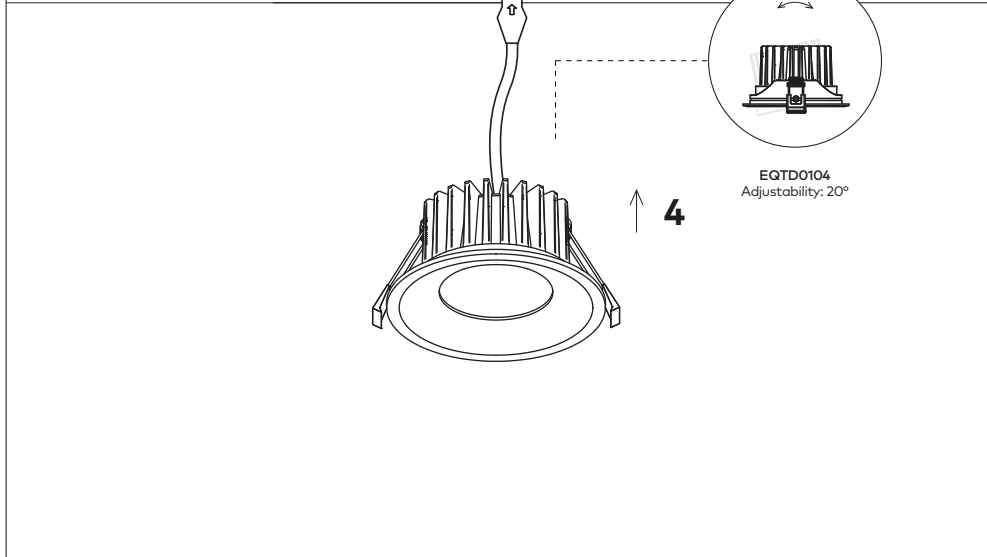
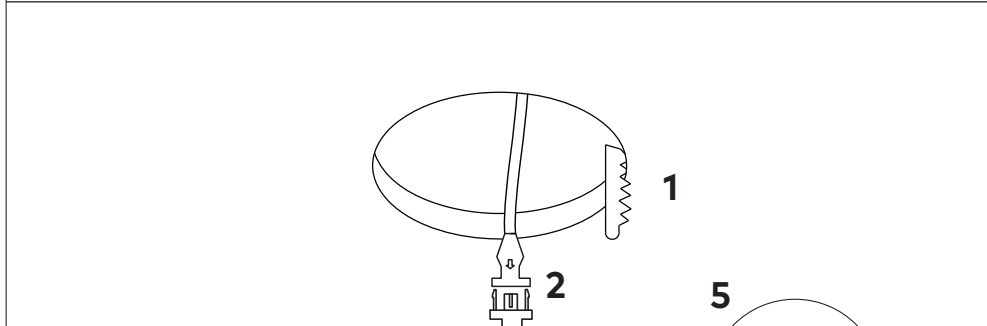
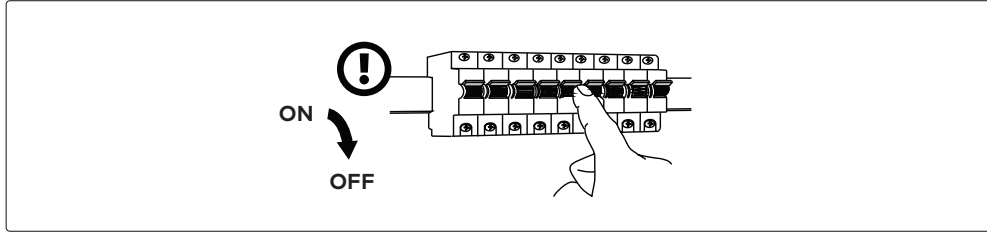
Product Variations

Essential EQED0105	Comfort EQCD0060, EQCD0100	Tilt EQTD0104
----------------------------------	---	-----------------------------

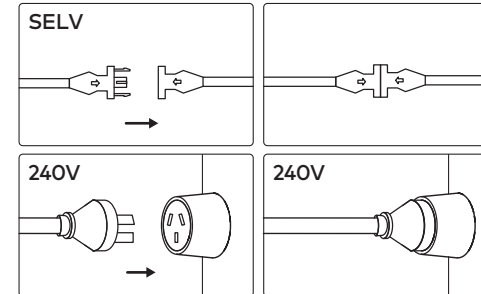
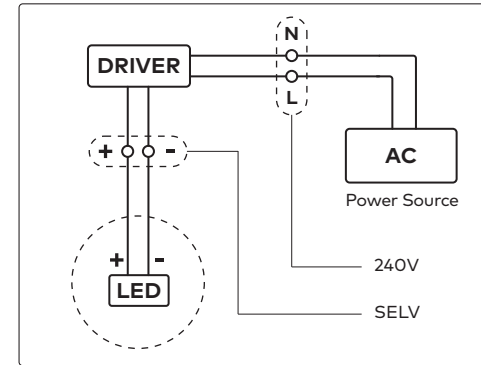
Product Code	A	B	C
EQED0105	Ø 105	56	Ø 92
EQCD0060	Ø 60	65	Ø 54
EQCD0100	Ø 100	85	Ø 92
EQTD0104	Ø 104	63	Ø 95

All measurements are in millimetres.





Wiring



Dimming

This luminaire can be dimmed. Unios® recommends a phase-cut dimmer or DALI solution optimised for LED technology.

For full list of compatible drivers, see unios.com