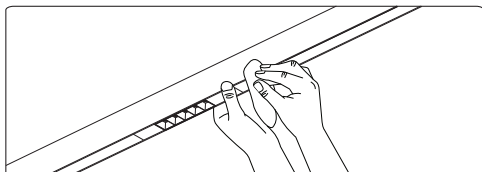


Cleaning

Warning: Before cleaning, turn power off and allow luminaires to cool.



Corrosion Protection

It is important to note that care must be taken during installation or maintenance to ensure that the surface of the luminaire is not damaged. Any damage, which is exposed to moisture will result in corrosion occurring.

Please also note that any chemical applications on the luminaire or chemical contact via installation will cause corrosion of the surface of the luminaire and will void the warranty.

Disposal

Ensure correct disposal of this product (waste electrical and electronic equipment)



Ambient Conditions

Recommended to install in an ambient temperature <35°C.



FX Linear Light

48V TRACK SERIES

Base Codes	L05 (565mm) LL050013	L11 (1125mm) LL110025	Power 13 25 Watts
	Class III 48V DC	IP Rating 20	Material Aluminium
	Install Person/s 1x		

CAUTION – This product must be installed by a qualified installer
Please read instruction manual carefully before installing luminaire

Surge Protection
For comprehensive protection of a luminaire against electrical surges, surge protection shall be installed on the mains supply where required to protect luminaires and drivers from transient voltage damage.

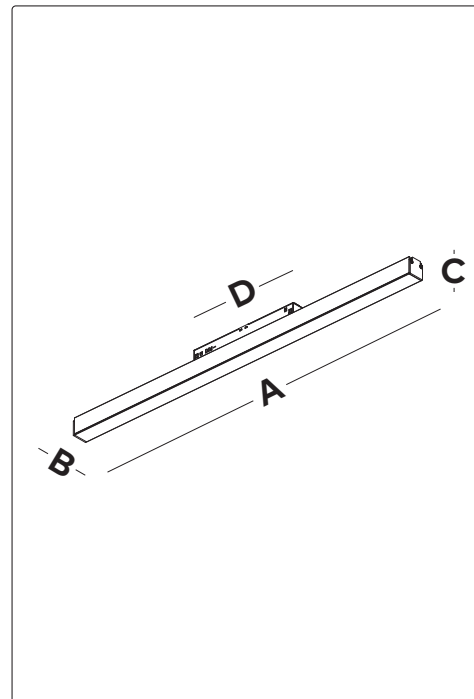
For warranty information visit unios.com/warranty

Please read these installation instructions carefully before installing this product. This product must be installed and maintained by a suitably qualified person/s in compliance with the latest applicable regulations and relevant legislation. Unios does not warrant any claim based on defects or damage caused by misuse, improper installation, improper operation and/or modifications carried out by the purchaser or third parties. This product shall not be used as a 'working light' during construction. This will result in the warranty of the product to be void. For warranty duration, please refer to the data sheet.

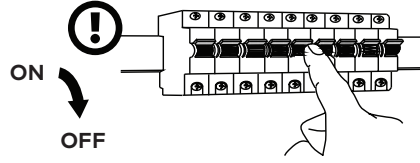
Sizing Variations

Product Code	A	B	C	D
LL050013	565	22	25	166
LL110025	1125	22	25	166

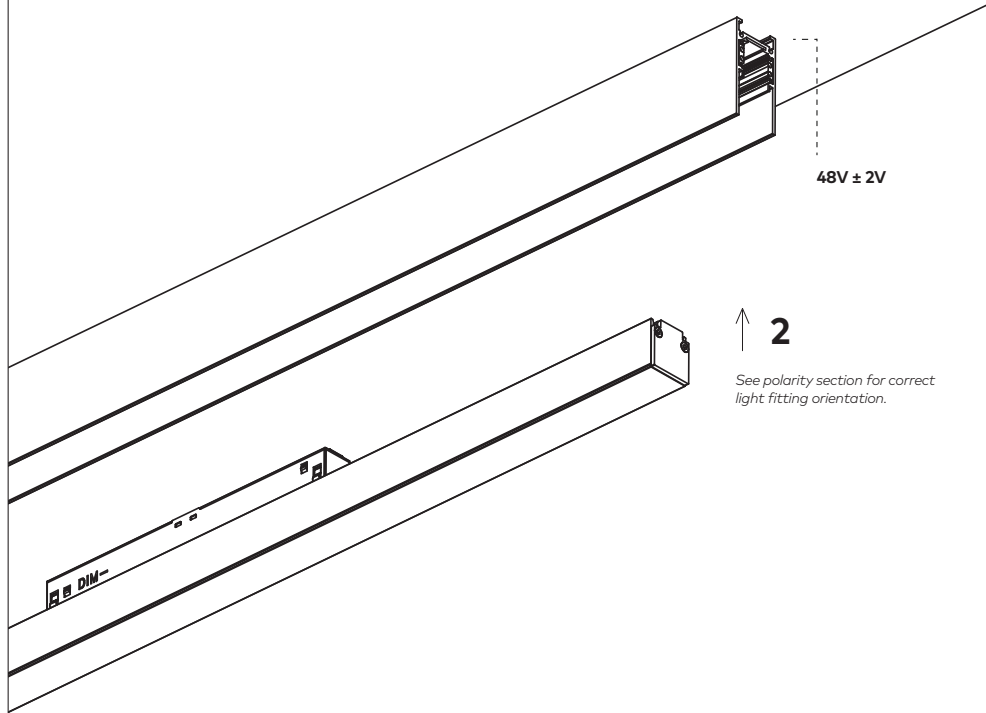
All measurements are in millimetres.



1

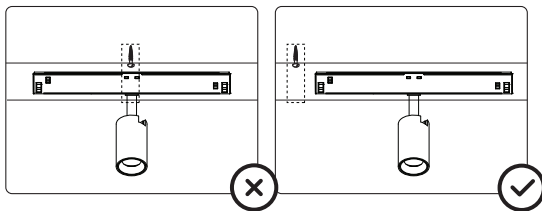


This product is only suitable with Unios FX 48V Track.
See unios.com/fxtrack for codes and instructions.



2
See polarity section for correct light fitting orientation.

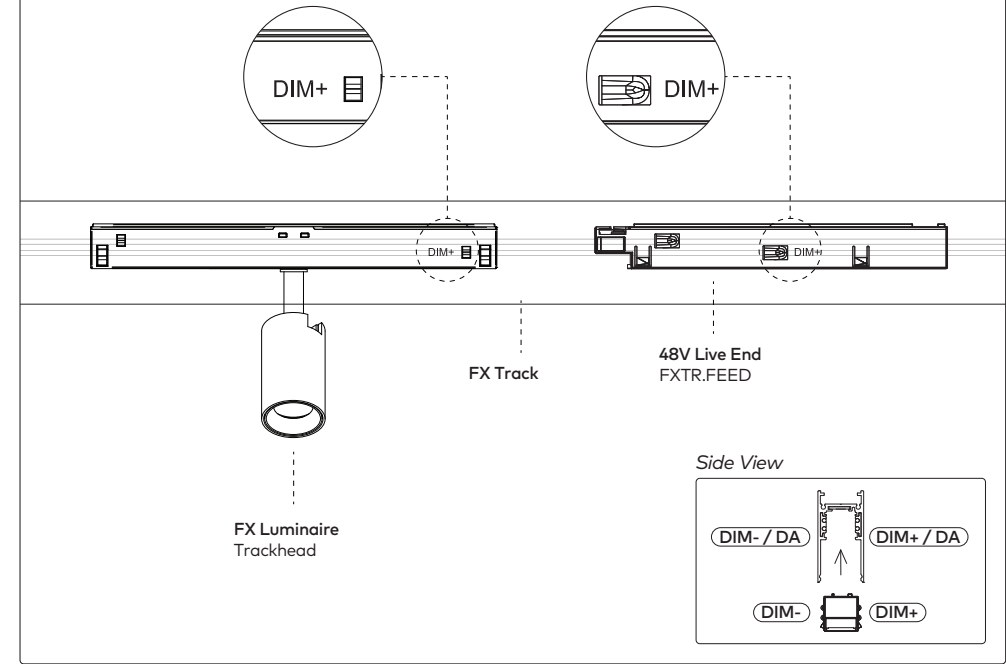
Track Fixture Positioning



⚠ IMPORTANT – Polarity

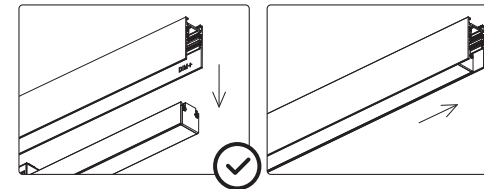
DALI configurations are not polarity sensitive.

DIM+ terminal on trackheads must be connected to the same copper pole as the DIM+ terminal on the Live End for dimming on 1-10V configurations.



Removal & Adjustment

Pull out luminaire to remove or reposition.
Do not slide off track.



Dimming

FX 48V Track luminaires can be dimmed. Unios recommends a 1-10V dimmer or DALI system optimised for LED technology. For non-standard configurations refer to driver data sheet.

For full list of compatible drivers, see unios.com

For instructions on setting up Casambi, please visit unios.com/casambi.

