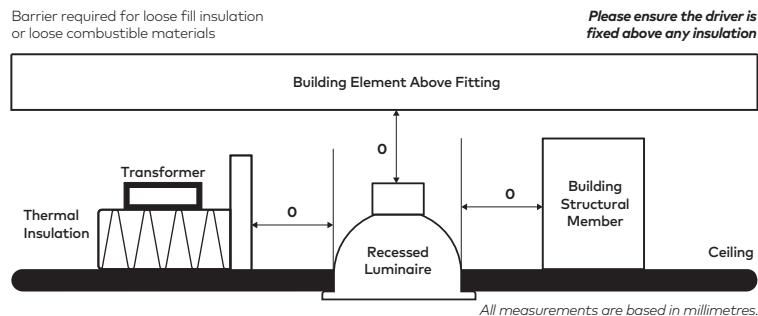
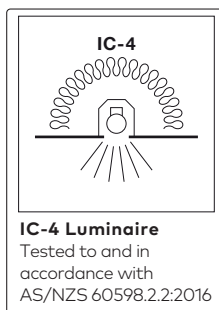


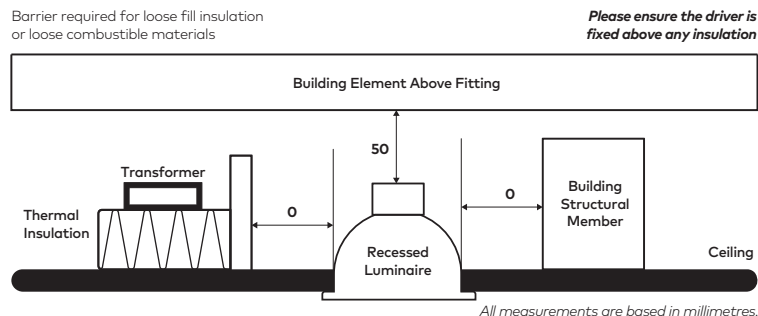
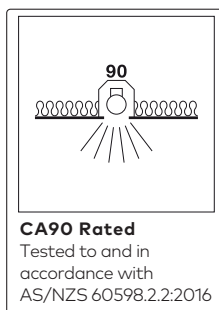
**Minimum clearance for luminaire**

ⓘ **Risk of Fire** – Required clearance from structure members and building elements. Details below:



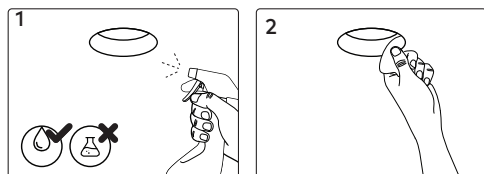
**Minimum clearance for ION R Large and XL (IONR0180, IONR0225) luminaire**

ⓘ **Risk of Fire** – Required clearance from structure members and building elements. Details below:



**Cleaning**

Warning: Before cleaning, disconnect from mains supply and allow luminaire to cool.



**Disposal**

Ensure correct disposal of this product (waste electrical and electronic equipment)



**Corrosion Protection**

It is important to note that care must be taken during installation or maintenance to ensure that the surface of the luminaire is not damaged. Any damage, which is exposed to moisture will result in corrosion occurring.

Please also note that any chemical applications on the luminaire or chemical contact via installation will cause corrosion of the surface of the luminaire and will void the warranty.

**Ambient Conditions**

Recommended to install in an ambient temperature <35°C.



**ION R**

DOWNLIGHT

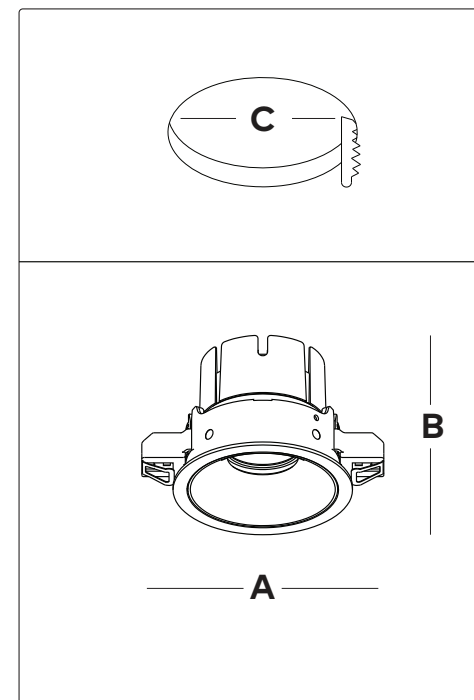
<b>Base Codes</b>	<b>Small</b> IONR0089	<b>Medium</b> IONR0103	<b>Large</b> IONR0180	<b>XL</b> IONR0225	<b>Power</b> 11 - 43 Watts
	<b>Class III</b> Luminaire only	<b>IP Rating</b> IP54 (Roomside)	<b>Material</b> Aluminium	<b>Install Person/s</b> 1x	

**CAUTION** – This product must be installed by a qualified installer  
Please read instruction manual carefully before installing luminaire

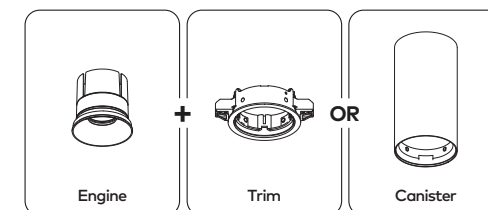
**Surge Protection**  
For comprehensive protection of a luminaire against electrical surges, surge protection shall be installed on the mains supply where required to protect luminaires and drivers from transient voltage damage.

**For warranty information visit unios.com/warranty**

Please read these installation instructions carefully before installing this luminaire. This product must be installed and maintained by a suitably qualified person/s in compliance with the latest applicable regulations and relevant legislation. Unios does not warrant any claim based on defects or damage caused by misuse, improper installation, improper operation and/or modifications carried out by the purchaser or third parties. This luminaire will not be used as a 'Working light' during construction. This will result in the warranty of the luminaire to be void. For warranty duration, please refer to the data sheet.



**Required Components**



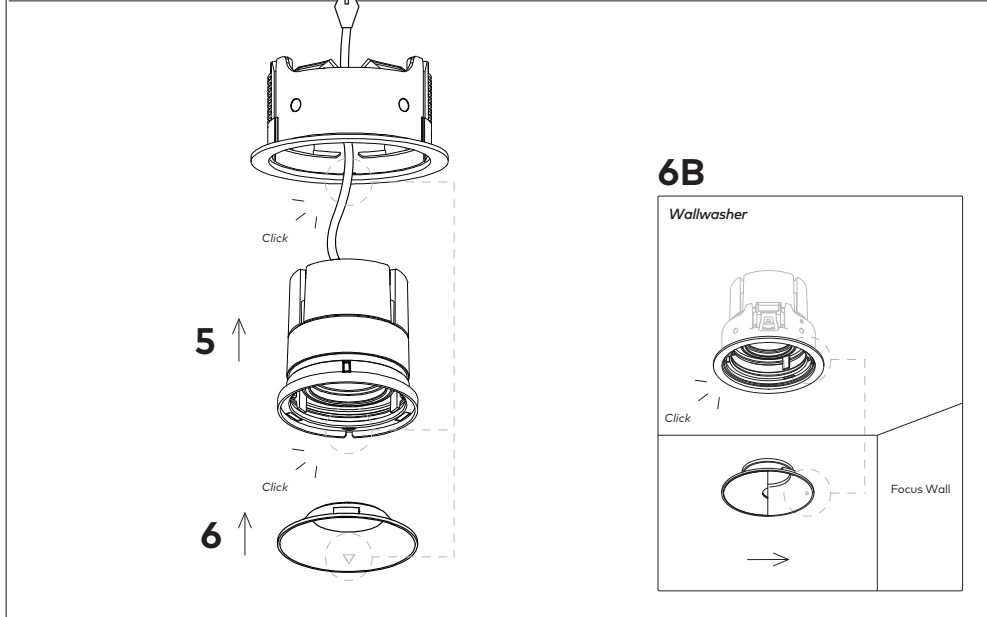
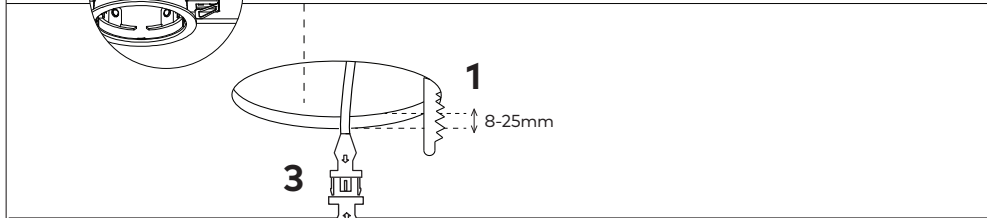
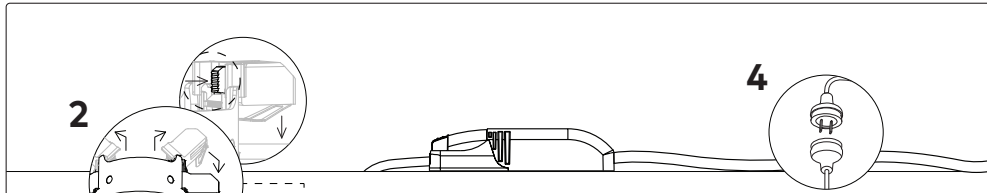
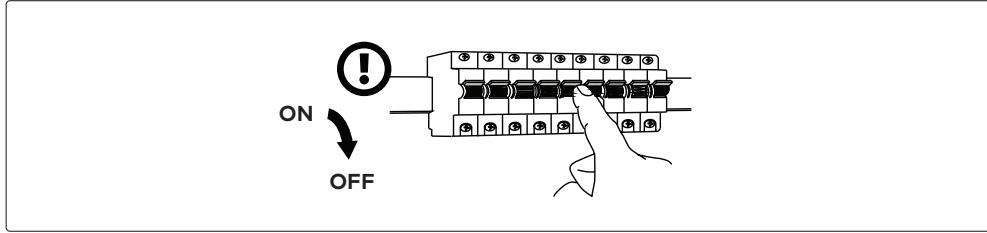
For canister installation, please refer to the Ion R Surface Mounted Downlight instruction manual sheet.

**Sizing Variations**

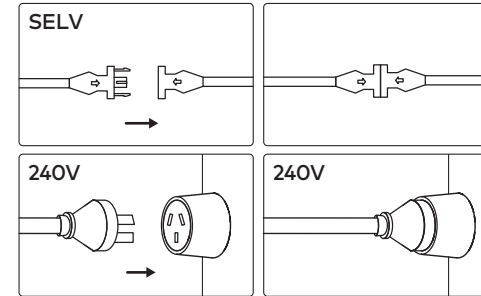
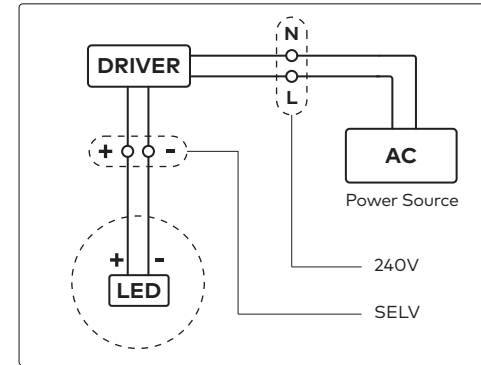
Product Code	A	B	C
IONR0089	89	74	76
IONR0103	103	85	92
IONR0180	180	95	165
IONR0225	225	106	210

All measurements are in millimetres.





### Wiring



### Luminaire Compatibility

Product Code	Output Power	Driving Current	Forward Voltage
IONR0089	9W	250mA	32-38V
	11W	300mA	
IONR0103	13W	350mA	
	15W	400mA	
IONR0180	22W	600mA	
	27W	750mA	
	32W	900mA	
IONR0225	36W	1000mA	
	43W	1200mA	

### Installation Guide

For more information on the installation of this product, please see the supplied video below:

[unios.com/ionrinstallation](https://unios.com/ionrinstallation)



### Dimming

This luminaire can be dimmed. Unios® recommends a phase-cut dimmer or DALI solution optimised for LED technology.

For full list of compatible drivers, see [unios.com](https://unios.com)

### Spacing Recommendation

Applies for wallwasher models intended for wallwashing. For more details see [unios.com/wallwasherspacingguide](https://unios.com/wallwasherspacingguide).

