



**Surge Protection**

For comprehensive protection of a luminaire against electrical surges, surge protection shall be installed on the mains supply where required to protect luminaires and drivers from transient voltage damage.

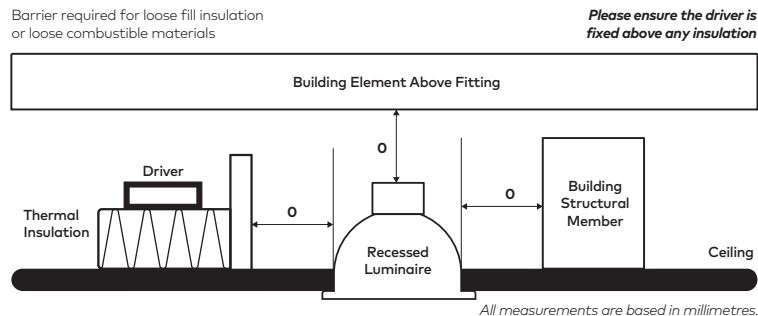
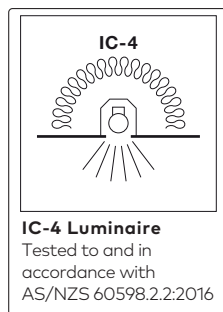
**For warranty information visit unios.com/warranty**

Please read these installation instructions carefully before installing this luminaire. This product must be installed and maintained by a suitably qualified person/s in compliance with the latest applicable regulations and relevant legislation.

Unios does not warrant any claim based on defects or damage caused by misuse, improper installation, improper operation and/or modifications carried out by the purchaser or third parties. This luminaire will not be used as a 'Working light' during construction. This will result in the warranty of the luminaire to be void. For warranty duration, please refer to the data sheet.

**Minimum clearance for luminaire**

**⚠ Risk of Fire** – Required clearance from structure members and building elements. Details below:



**Cleaning**

Always clean carefully using a soft cloth and a ph-neutral, alcohol-free, non-abrasive cleaning cloth.

Clean & Maintain the finish twice a year to avoid rust, oxidation or limescale deposits.

**Disposal**

Ensure correct disposal of this product (waste electrical and electronic equipment)



ION S Track Light Installation Instructions

unios.com/ionstrackims



ION S Surface Mounted Spotlight Installation Instructions

unios.com/ionssmims



ION S

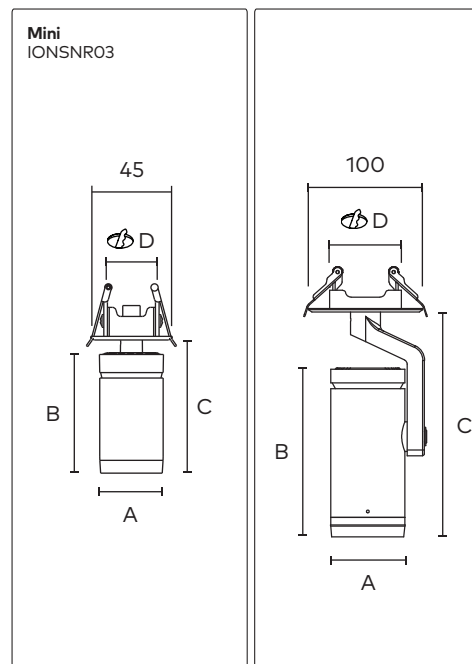
RECESSED SPOTLIGHT

Base Codes	Mini IONSNRXX	Small IONSSRXX	Medium IONSMRXX	Large IONSLRXX	Medium Framer IONFMRXX	Large Framer IONFLRXX	IP20		
	Class III Luminaire only	IC Rating IC-4	Material Aluminium	Operating Temp <25°C	Install Person/s 1x	Power 3-32 Watts			

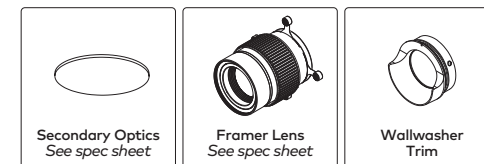


**CAUTION – This product must be installed by a qualified installer**

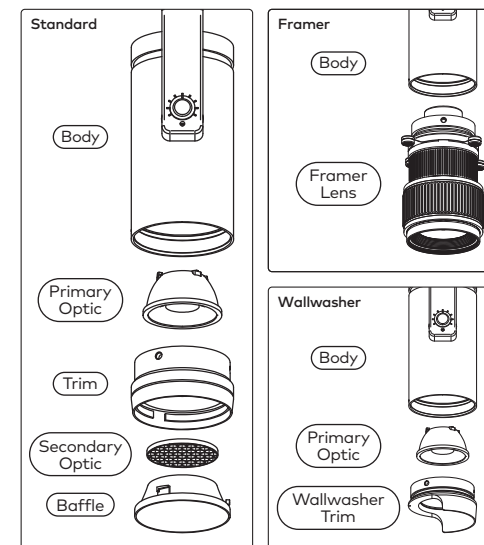
Please read instruction manual carefully before installing luminaire



**Additional Accessories**



**Product Assembly**



**Sizing Variations**

Product Code	A	B	C	∅D
IONSNRXX	∅35	66	74	∅38
IONSSRXX	∅50	125	168	∅76
IONSMRXX	∅65	147	197	∅76
IONSLRXX	∅85	161	210	∅63
IONFMRXX	∅65	147	197	∅63
IONFLRXX	∅85	161	210	∅63

All measurements are in millimetres.



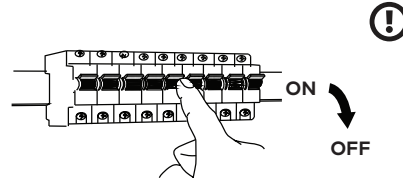
## Product Installation

### CAUTION



Switch off main electrical power prior to installing and powering this luminaire.

Do not open luminaire whilst the main electrical power is active.

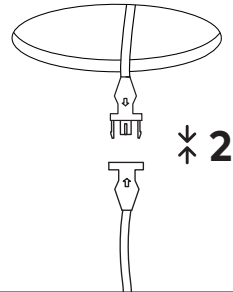


Mini: Ø38mm

Small/Medium: Ø76mm

Large/Medium Framer/Large Framer: Ø63mm

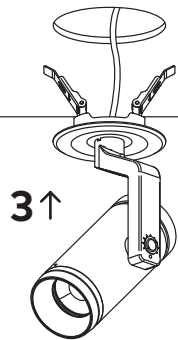
Cut out a hole with the diameter suitable for your spotlight



Connect luminaire to remote driver with supplied matching SELV plug

## Inserting Luminaire

Mini/Small/Medium

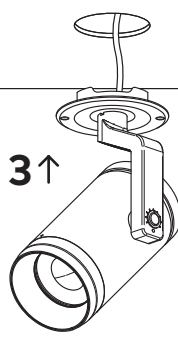


3 ↑

Fold back spring clips and insert luminaire carefully until plate sits evenly with surface

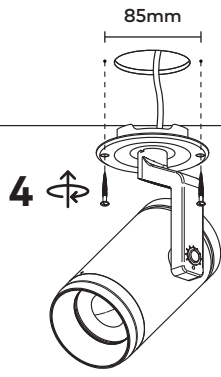
OR

Large/Medium Framer/  
Large Framer



3 ↑

Insert luminaire carefully until plate sits evenly with the surface

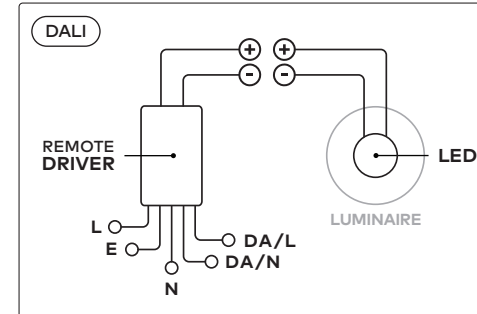
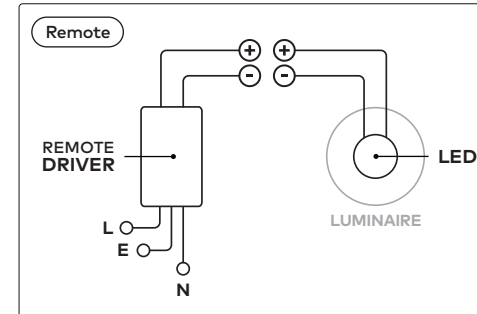


4 ↕

2x M4 screws included for large model

Fasten plate to surface using supplied 2x M4 screws (Anchors are not included)

## Wiring



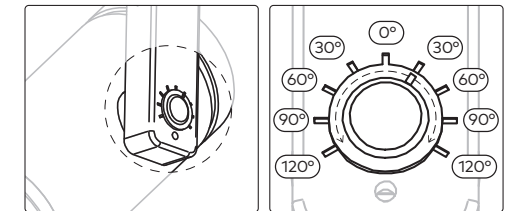
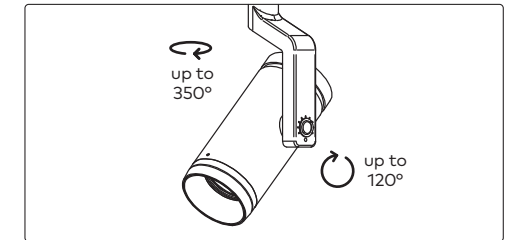
## Dimming

Standard models are phase-cut Dimmable. Unios recommends a phase-cut dimmer optimised for LED technology. DALI compatible drivers are also available.

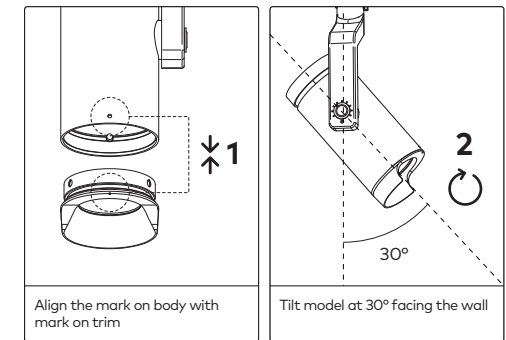
For full list of compatible drivers, see [unios.com](http://unios.com)

## Product Adjustment

The inner notch of dial located on the arm indicates current tilt angle. Use diagram below for reference.



## Wallwasher Assembly

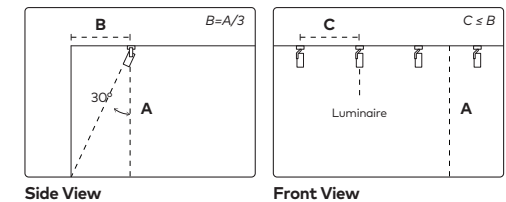


Align the mark on body with mark on trim

Tilt model at 30° facing the wall

## Spacing Recommendation

Applies for wallwasher models intended for wallwashing.



Side View

Front View

