



Surge Protection

For comprehensive protection of a luminaire against electrical surges, surge protection shall be installed on the mains supply where required to protect luminaires and drivers from transient voltage damage.

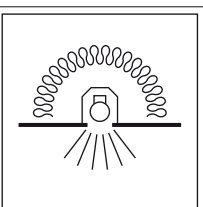
For warranty information visit unios.com/warranty

Please read these installation instructions carefully before installing this luminaire. This product must be installed and maintained by a suitably qualified person/s in compliance with the latest applicable regulations and relevant legislation.

Unios does not warrant any claim based on defects or damage caused by misuse, improper installation, improper operation and/or modifications carried out by the purchaser or third parties. This luminaire will not be used as a 'Working light' during construction. This will result in the warranty of the luminaire to be void. For warranty duration, please refer to the data sheet.

Minimum clearance for luminaire

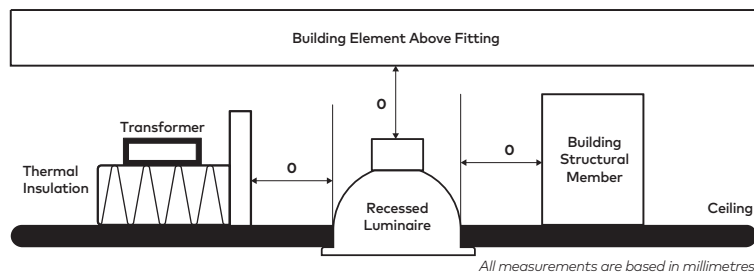
⚠ Risk of Fire – Required clearance from structure members and building elements. Details below:



IC Luminaire
Tested to and in accordance with AS/NZS 60598.2.2:2016

Barrier required for loose fill insulation or loose combustible materials

Please ensure the driver is fixed above any insulation



Cleaning

Always clean carefully using a soft cloth and a ph-neutral, alcohol-free, non-abrasive cleaning cloth. Clean & Maintain the finish twice a year to avoid rust, oxidation or limescale deposits. If this entire surface is not cleaned correctly, the finish may become uneven.

Do not use abrasive pads, discs, sandpaper and/or high pressure hose/gun to clean the luminaire.

Disposal

Ensure correct disposal of this product (waste electrical and electronic equipment)



LX Infinity T-Bar

RECESSED LINEAR LIGHT

Base Codes | T-Bar
LTXX901200

IP40

Class III Luminaire only	IP Rating 40	Material Aluminium	Install Person/s 1-2	Power 22 Watts/m
------------------------------------	------------------------	------------------------------	--------------------------------	----------------------------

⚠ CAUTION – This product must be installed by a qualified installer
Please read instruction manual carefully before installing luminaire

ESD Protection

When Handling this product, care must be taken so that the LED board is not damaged. Damage due to inappropriate handling is not covered by warranty.

The following precautions **must** be taken:

- Ensure device is switched off and disconnected from power supply.
- During assembly/disassembly, care must be taken during handling of LED tray inside.
- Always ensure to discharge yourself of all charge by touching a grounded bare metal surface or approved anti-static mat before working on device.

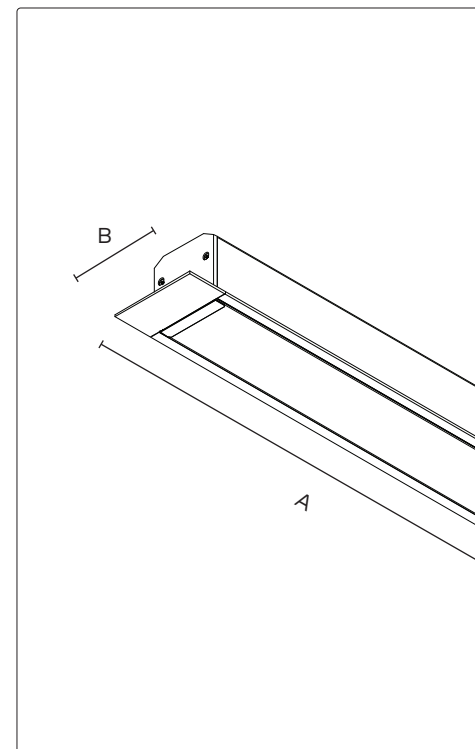


CAUTION
Contains parts and assemblies susceptible to damage by electrostatic discharge (ESD)

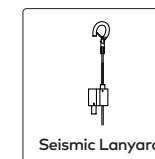
Sizing Variations

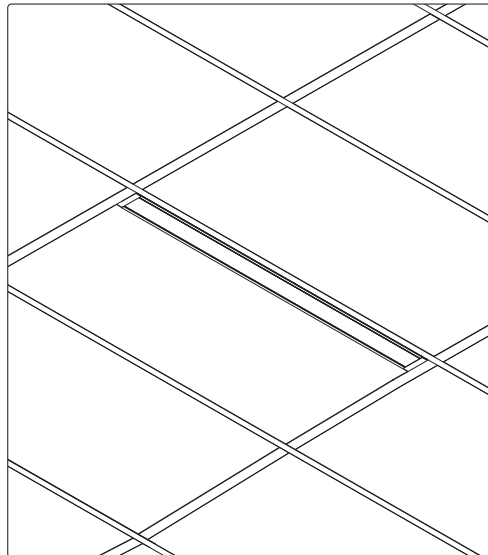
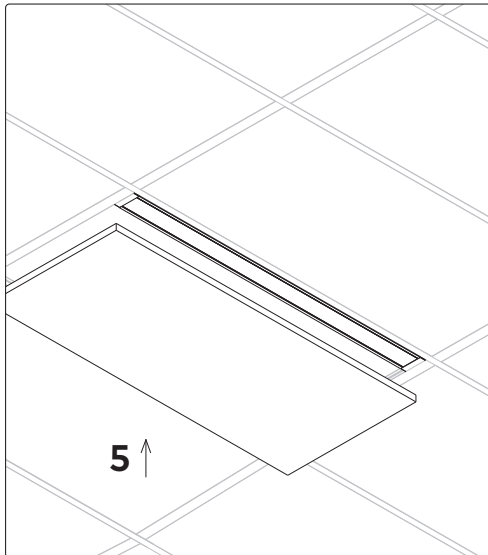
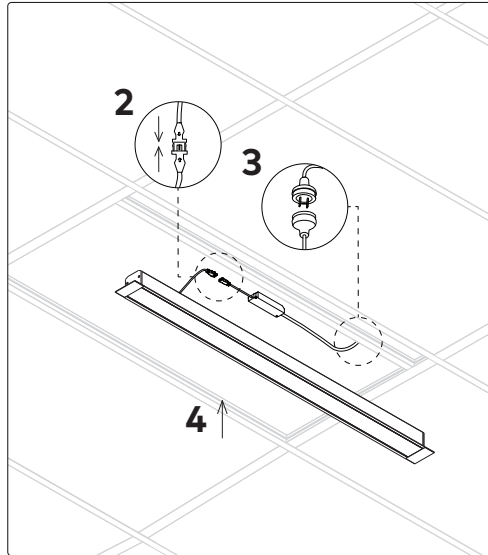
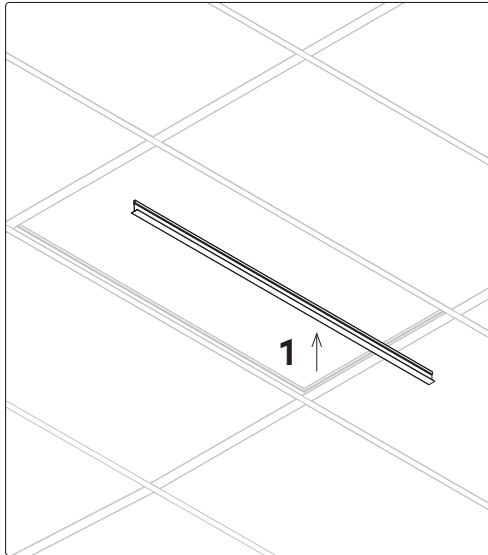
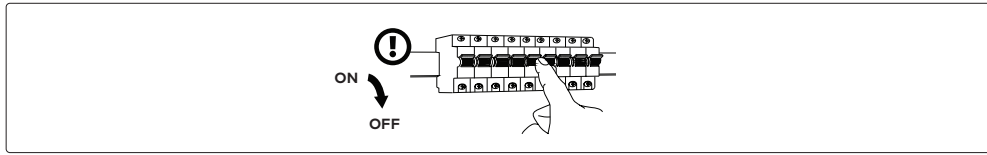
Product Code	A	B	Nominal Power
LTXX901200	1195	78	25W

**All measurements are in millimetres.
Nominal power listed applies for standard models only.
It is recommended to check length on site before installation.
For custom products, please refer to the product label.*

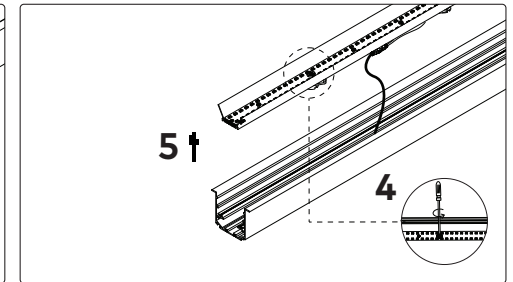
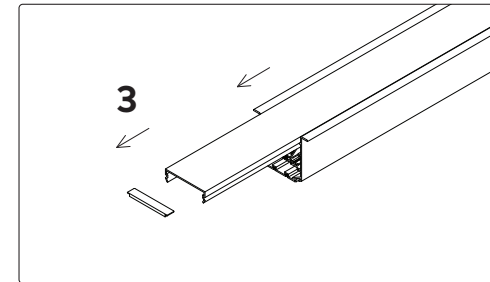
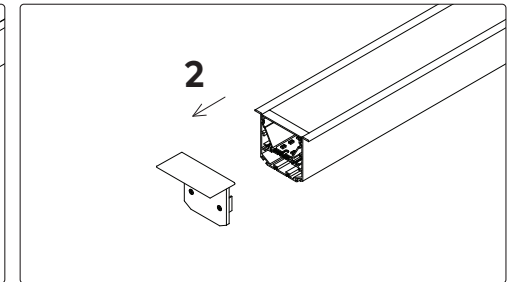
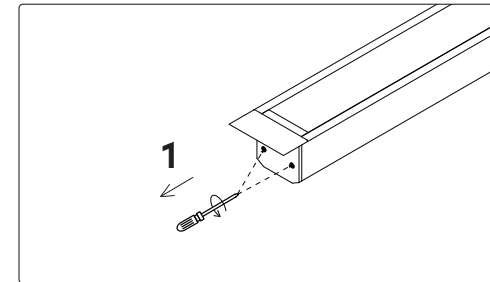


Additional Accessories

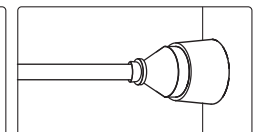
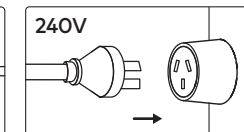
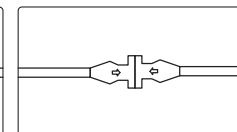
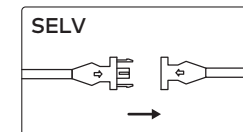
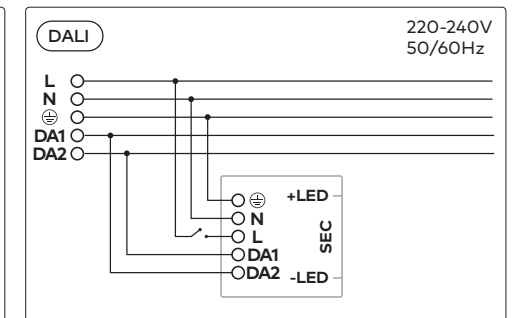
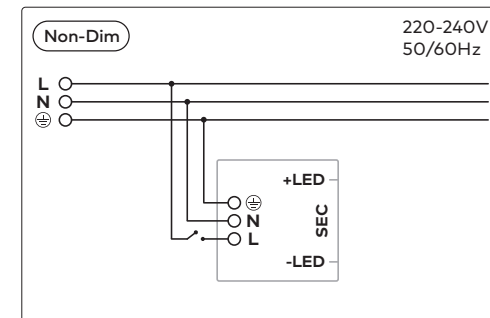




Prismatic Optic Disassembly



Wiring



Dimming

Standard model is non-dimmable. If dimmable model has been supplied (DALI), please refer to driver specification to determine suitable control system.

Circuit Allowance Table

To calculate the number of luminaires allowed per circuit please visit unios.com/circuitallowance for more information.

