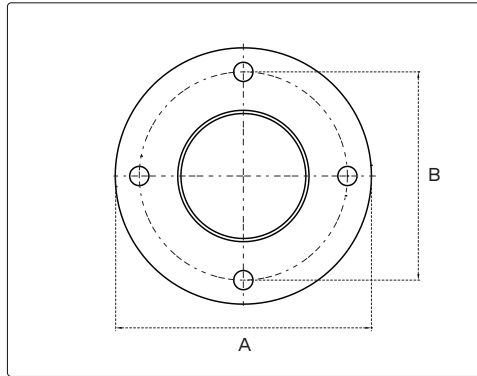


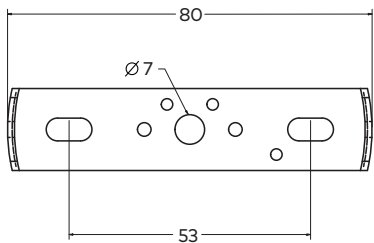
Mounting Plate



Product Code	A	B
TISS	82	72
TISM	96	80

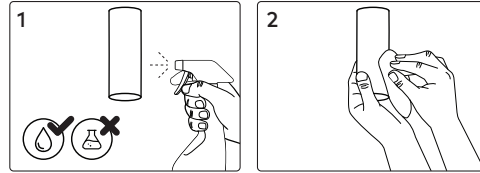
All measurements are in millimetres.

Pendant Kit TIPM0100



Cleaning

Warning: Before cleaning, disconnect from mains supply and allow luminaire to cool.



Corrosion Protection

It is important to note that care must be taken during installation or maintenance to ensure that the surface of the luminaire is not damaged. Any damage, which is exposed to moisture will result in corrosion occurring.

Please also note that any chemical applications on the luminaire or chemical contact via installation will cause corrosion of the surface of the luminaire and will void the warranty.

Ambient Conditions

Recommended to install in an ambient temperature <35°C.



Disposal

Ensure correct disposal of this product (waste electrical and electronic equipment)



Titanium G2

SURFACE MOUNTED/SUSPENDED DOWNLIGHT



Base Codes	Small 200mm TISS0200	Medium 215mm TISM0215	Small 130mm TISS0130	Medium 130mm TISM0130	Power 11, 13 Watts	
	200/215mm: Class I 220-240V ~ 50/60Hz		130mm: Class III Luminaire only	IP Rating 20 44	Material Aluminium	Install Person/s 1x

CAUTION – This product must be installed by a qualified installer
Please read instruction manual carefully before installing luminaire

Surge Protection
For comprehensive protection of a luminaire against electrical surges, surge protection shall be installed on the mains supply where required to protect luminaires and drivers from transient voltage damage.

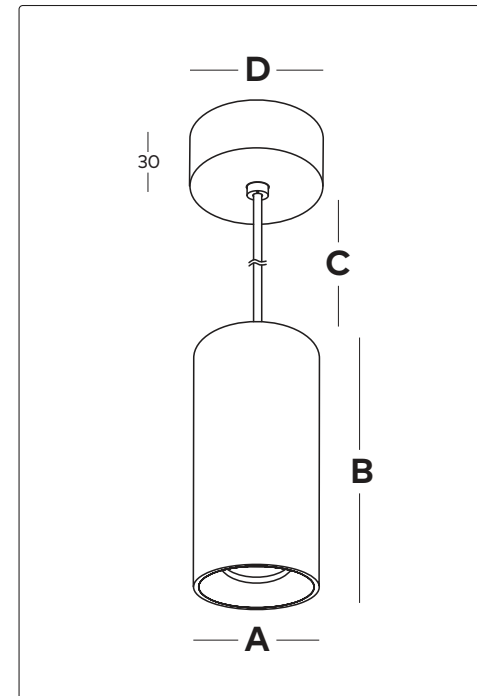
For warranty information visit unios.com/warranty

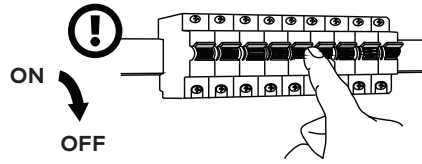
Please read these installation instructions carefully before installing this luminaire. This product must be installed and maintained by a suitably qualified person/s in compliance with the latest applicable regulations and relevant legislation. Unios does not warrant any claim based on defects or damage caused by misuse, improper installation, improper operation and/or modifications carried out by the purchaser or third parties. This luminaire will not be used as a 'Working light' during construction. This will result in the warranty of the luminaire to be void. For warranty duration, please refer to the data sheet.

Sizing Variations

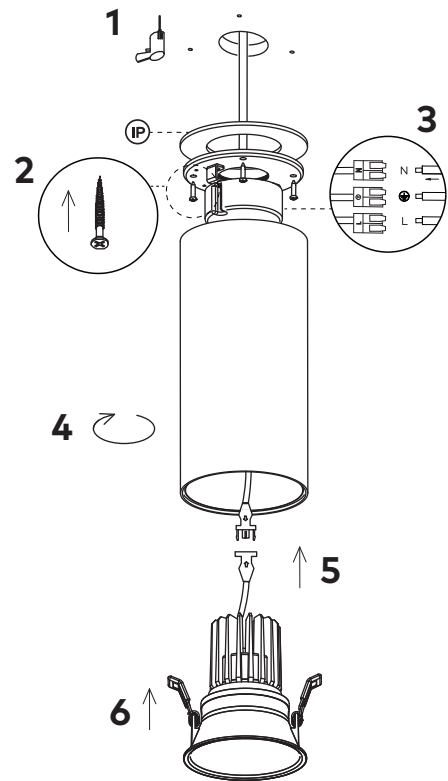
Product Code	A	B	C	D
TISM0130	102	130	-	-
TISM0215	102	215	-	-
TISS0130	88	130	-	-
TISS0200	88	200	-	-
Accessories				
TIPK.3C30	-	-	3000	87

All measurements are in millimetres.

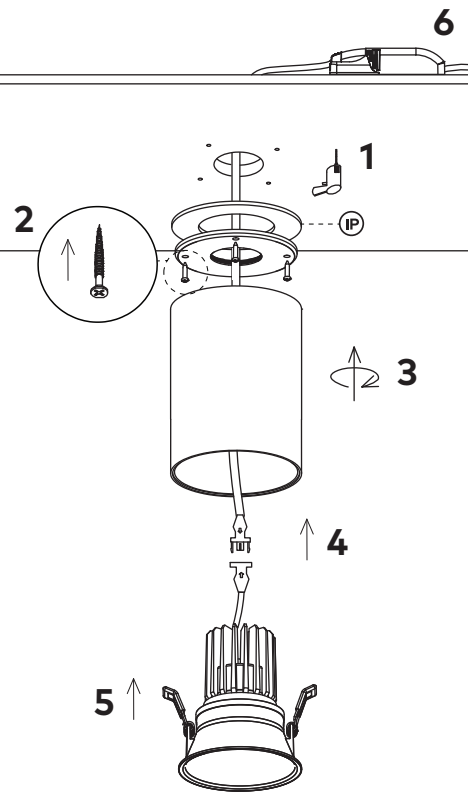




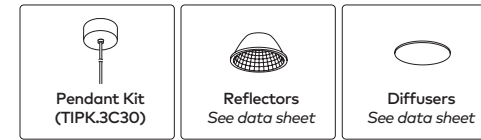
215mm / 200mm Surface Mounted
TISM0215, TISS0200



130mm Surface Mounted
XXXX0130

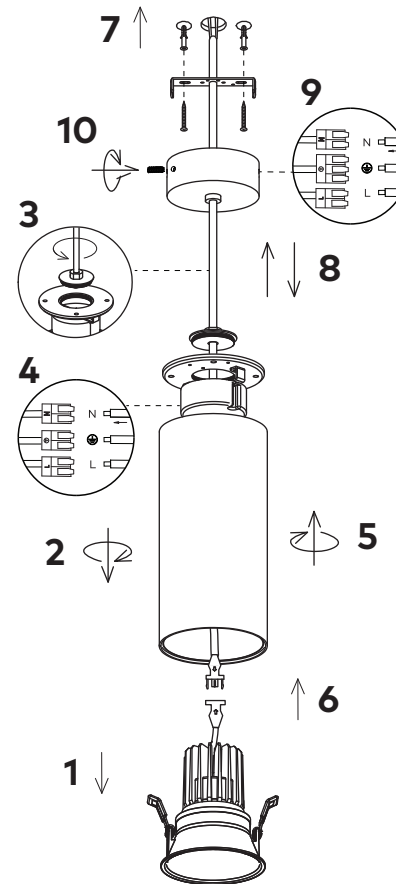


Additional Accessories



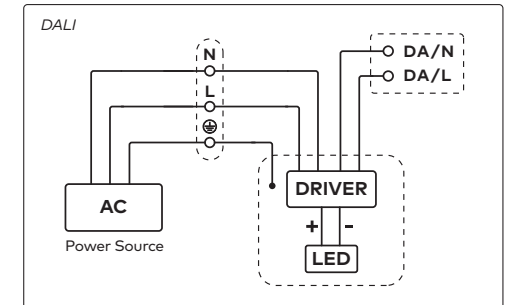
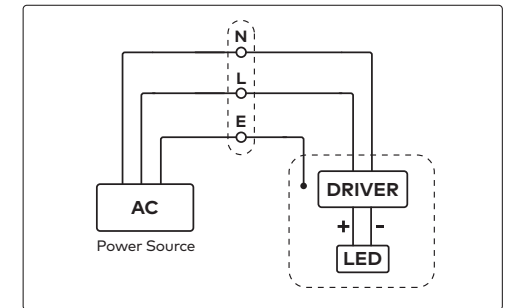
IP20 Pendant Kit Installation TIPK.3C30

Suitable for 200mm & 215mm canister.

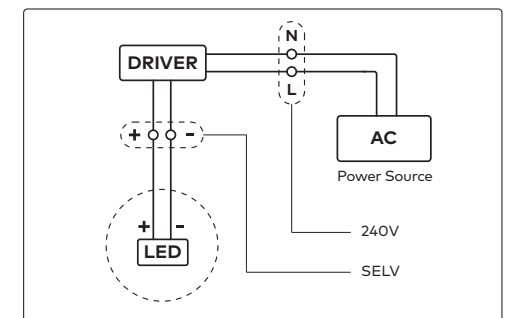


Steps 1-4 required for non pre-assembled unit.

Built-in Wiring



Remote Wiring



Dimming

This luminaire can be dimmed. Unios® recommends a phase-cut dimmer or DALI solution optimised for LED technology.

For full list of compatible drivers, see unios.com

